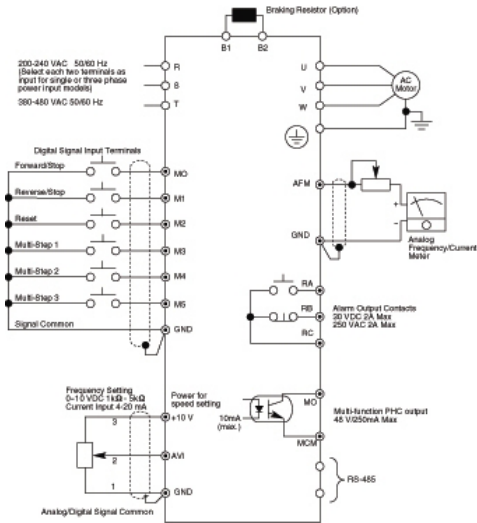




The VLT[®] MICRO is the perfect drive for OEMs and panel builders needing a small AC Drive in the 1/2 to 3 HP, 230 VAC single phase input, 1/2 to 5 HP, 230 VAC three phase input and 1 to 5 HP, 460 VAC range. It offers a small footprint, sophisticated control and a user-friendly keypad.

VLT[®] MICRO Features and Benefits

- Simple installation
- Panel or optional DIN rail mount
- Optional remote keypad mounting kit
- Compact overall size saves space and installation cost
- Designed for: 1/2 to 5 HP, 230 VAC and 1 to 5 HP, 460 VAC constant torque applications
- All models are enclosed in a protected chassis (IP 20) and are UL and cUL listed
- Easy access to all terminal connections
- Programmable digital inputs and outputs
- Forced air-cooled
- Low noise operation
- Provides DC performance from a low cost and low maintenance AC motor
- Overload current — 150% of rated current for 1 minute
- Automatic voltage regulation
- S-curve or linear ramp profiles
- Momentary power failure restart
- Parameter lock/reset



Applications

- Mixers
- Chemical dosing
- Pumps
- Fans

Protection Features

- Self-testing
- Over-voltage
- Over-current
- Under-voltage
- Overload
- Over-heating
- External fault
- Electronic thermal
- Ground fault

Options

- Remote keypad kit
- Din rail adaptor kit
- Brake resistors
- EMC Filters

Drives Solutions
www.danfoss.com/drives

TRANSMISIONES INDUSTRIALES ALFA

Av. Pte Peron 2811, San Justo (1754), Bs.As
Tel/Fax: 011 4651-5008 / 011 4484-1705

E-mail: alfa_transmisiones@hotmail.com
www.transmisionesalfa.com.ar